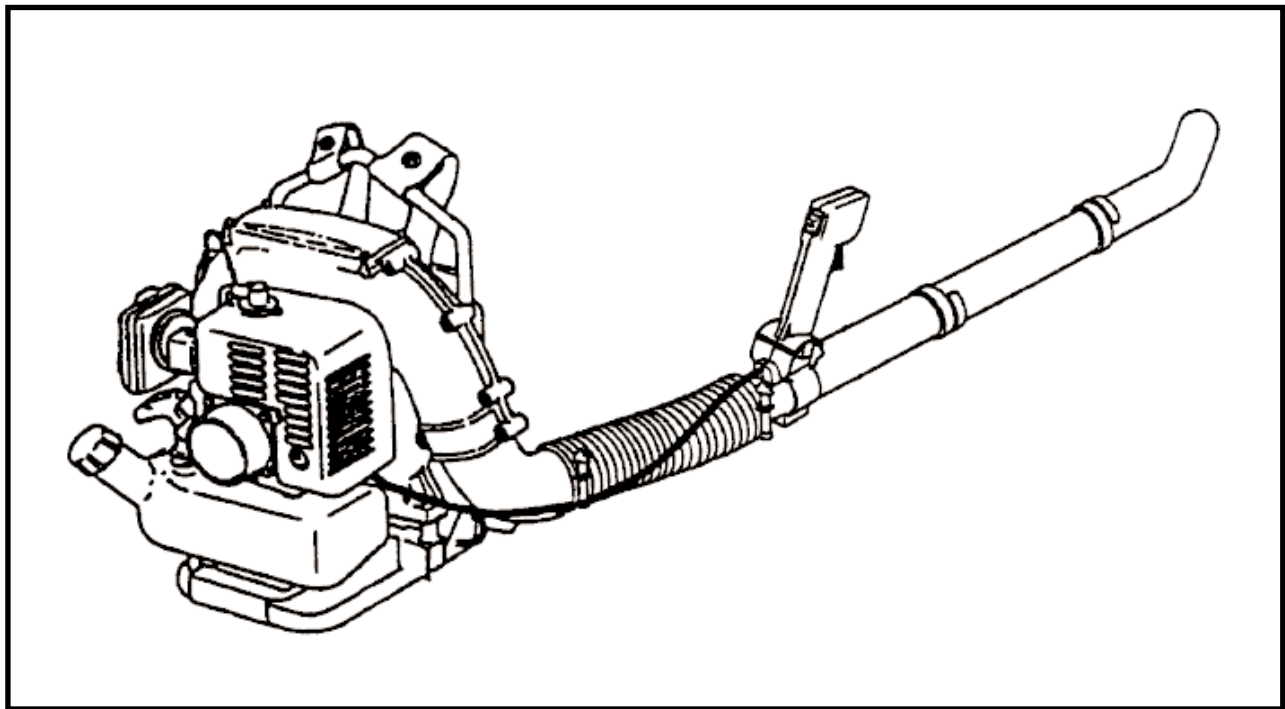
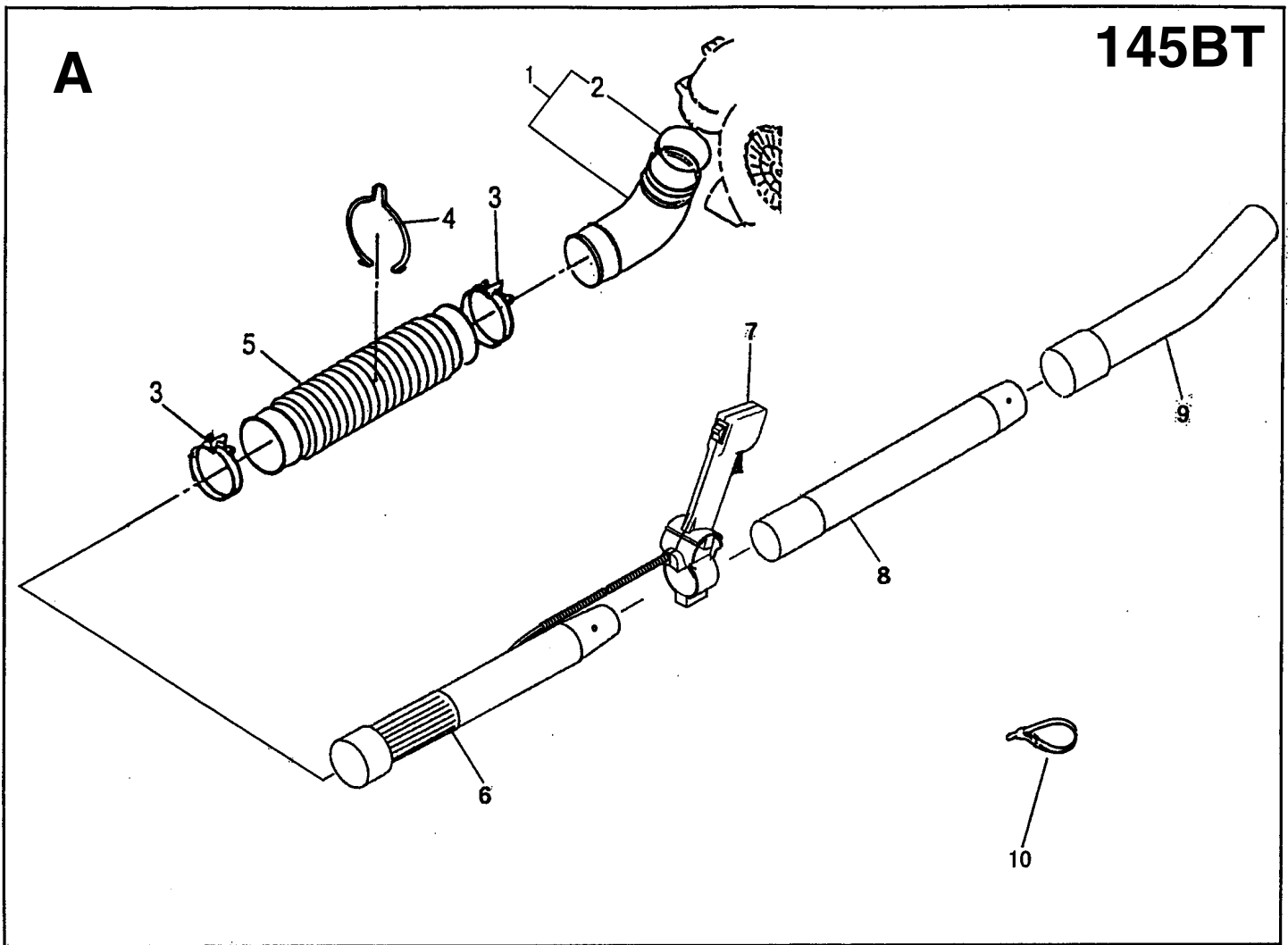

145 BT

California (CARB II)



Backpack Blower

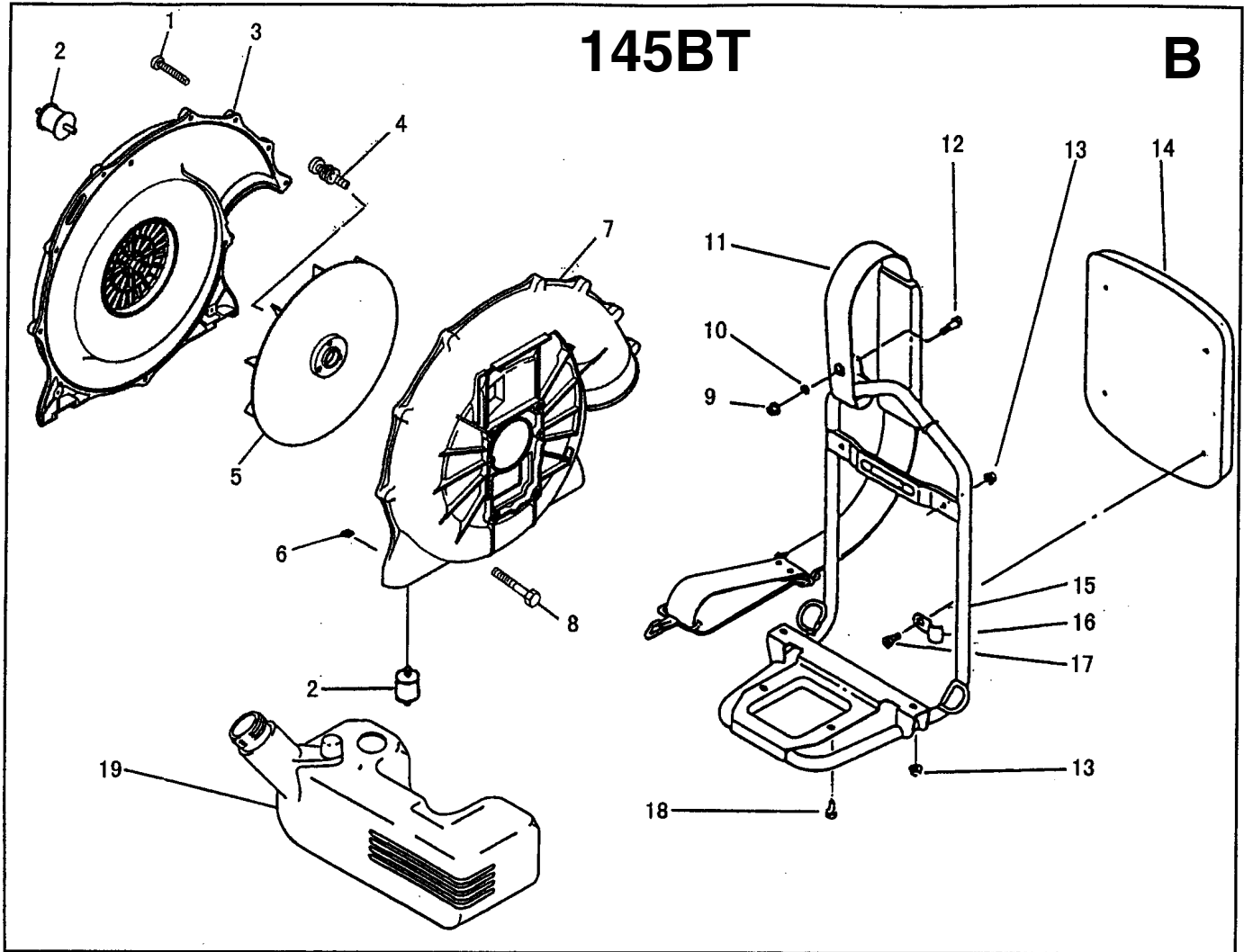
A**145BT**

| Ref. # | Part # | Description |
|---------------|---------------|--------------------|
| 1 | 695 00 04-02 | Elbow Pipe |
| 2 | 695 00 00-05 | O-Ring |
| 3 | 695 00 05-27 | Hose Band |
| 4 | 695 00 04-21 | Wire Clamp |
| 5 | 695 00 00-16 | Flex Pipe |

| Ref. # | Part # | Description |
|---------------|---------------|--------------------|
| 6 | 695 00 00-19 | Base Pipe |
| 7 | 695 00 06-32 | Throttle Assy. |
| 8 | 695 00 00-20 | Middle Pipe |
| 9 | 695 00 00-21 | Bend Pipe |
| 10 | 695 00 01-10 | Wire Band |

145BT

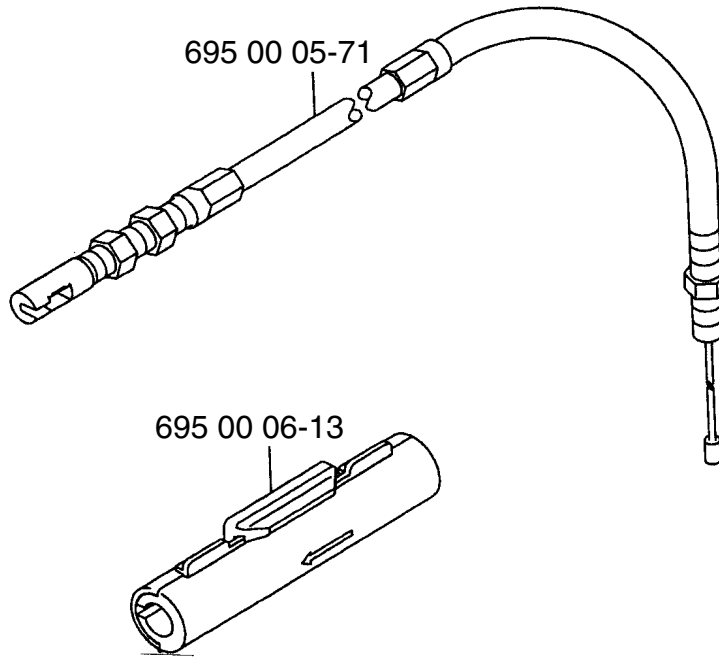
B



| Ref. # | Part # | Description |
|--------|--------------|-----------------------|
| 1 | 695 00 02-05 | Tapping Screw (M5x30) |
| 2 | 695 00 01-88 | Anti-Vibe Mount |
| 3 | 695 00 06-52 | Fan Case |
| 4 | 695 00 06-37 | Pre-Coat Lock Bolt |
| 5 | 695 00 00-36 | Fan |
| 6 | 695 00 00-06 | Hex Nut |
| 7 | 695 00 06-53 | Fan Case |
| 8 | 695 00 06-40 | Pre-Coat Lock Bolt |
| 9 | 695 00 00-38 | Flange Nylon Nut (M6) |
| 10 | 695 00 00-45 | Washer |

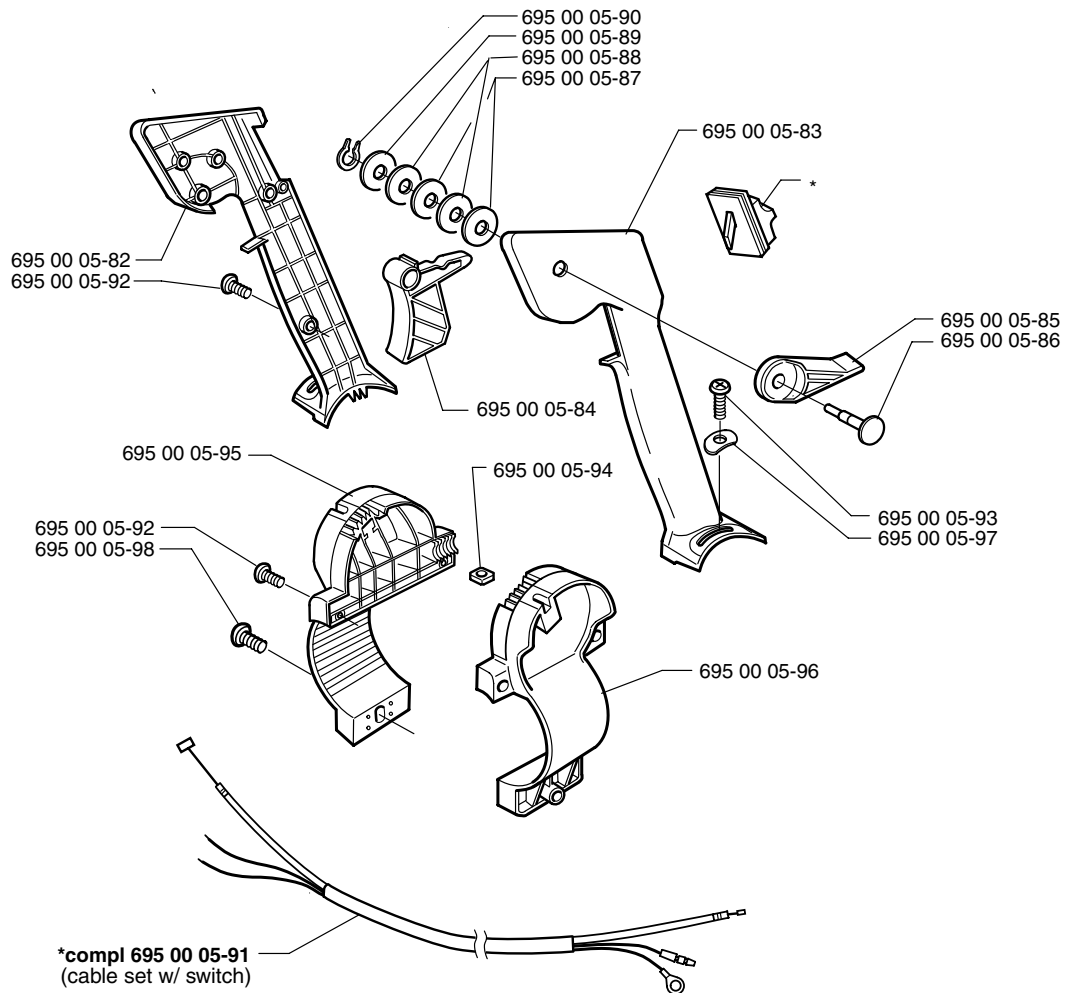
| Ref. # | Part # | Description |
|--------|--------------|----------------------|
| 11 | 695 00 07-63 | Shoulder Band |
| 12 | 695 00 00-25 | Truss Screw (M6x20) |
| 13 | 695 00 00-39 | Flange Nut (M6) |
| 14 | 695 00 00-48 | Backpack Pad |
| 15 | 695 00 04-20 | Backpack Frame |
| 16 | 695 00 00-03 | Backpack Pad Fitting |
| 17 | 695 00 00-10 | Hex Bolt (M5x12) |
| 18 | 695 00 02-00 | Screw (M6x10) |
| 19 | 695 00 05-72 | Fuel Tank |

C

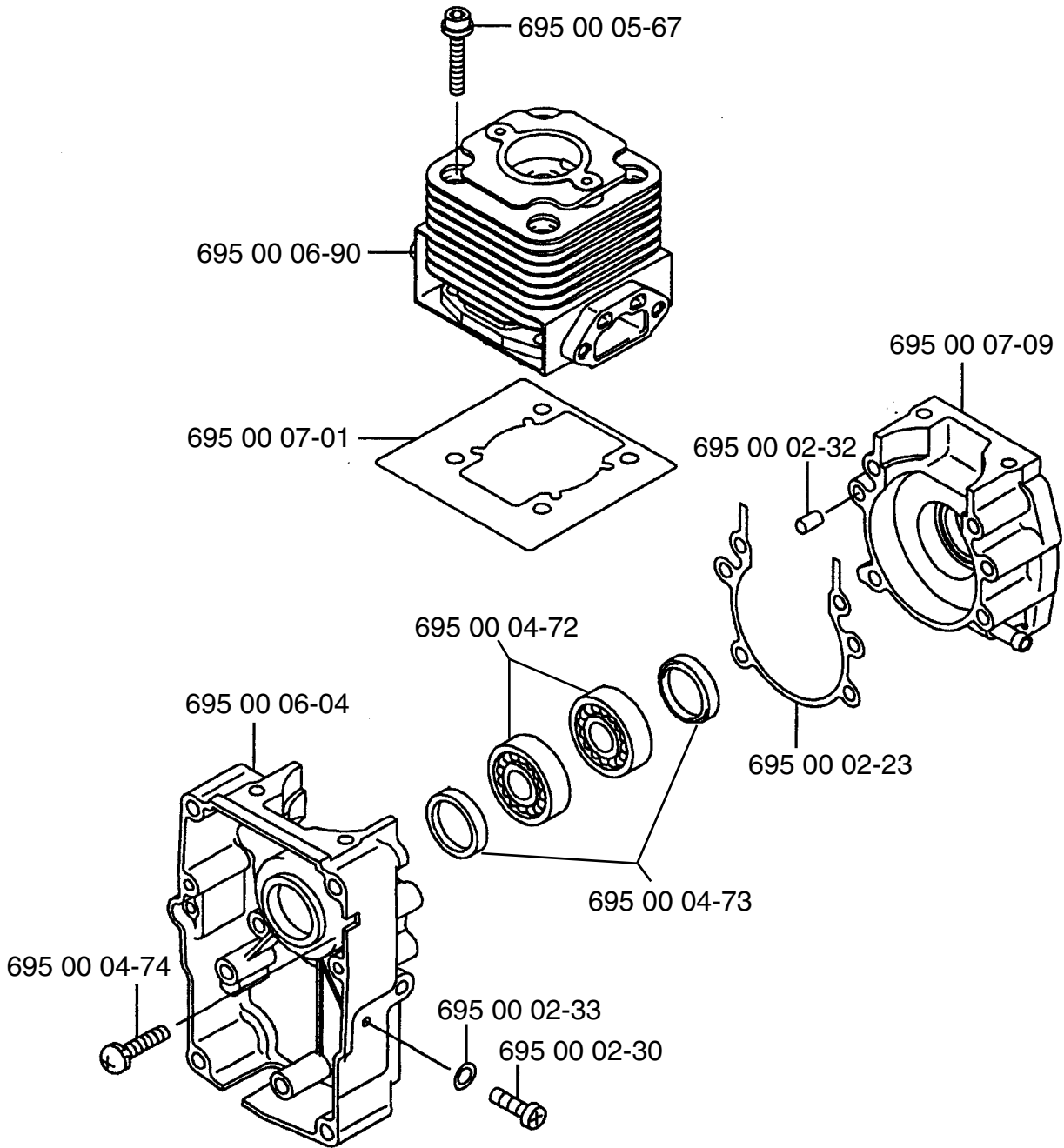


T

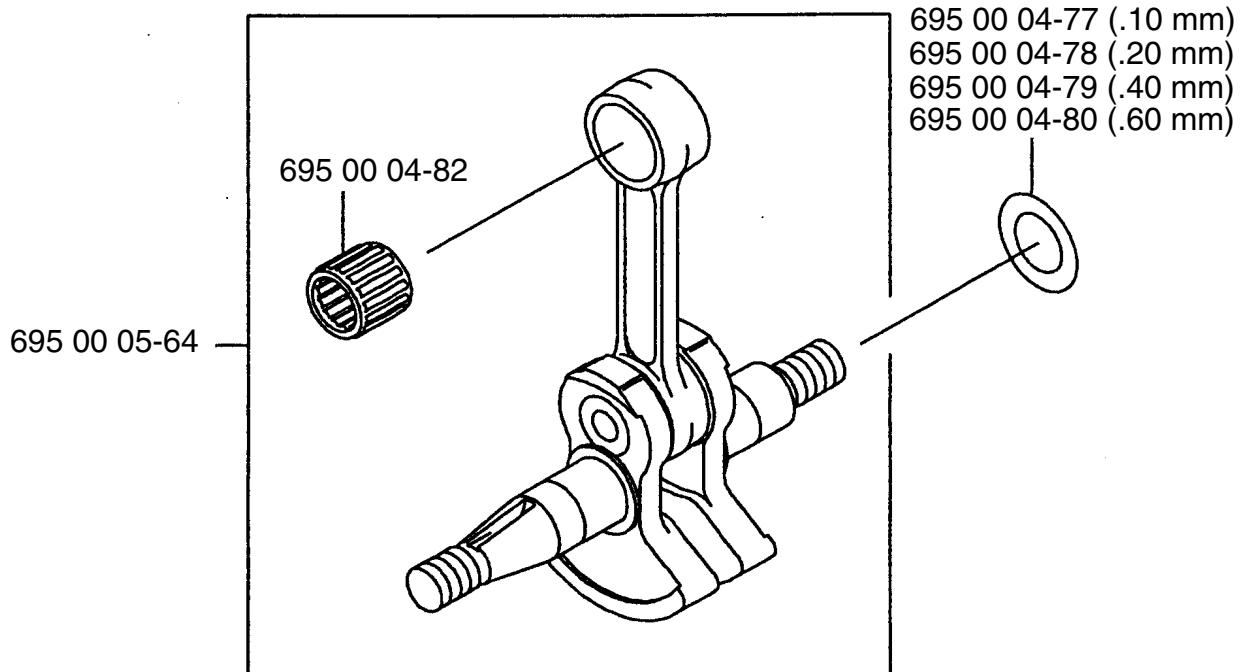
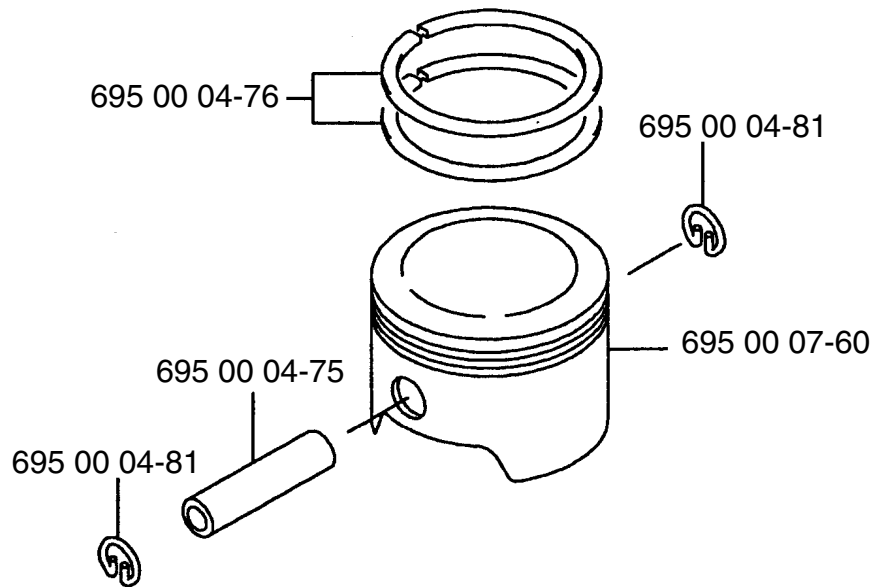
compl. 695 00 06-32



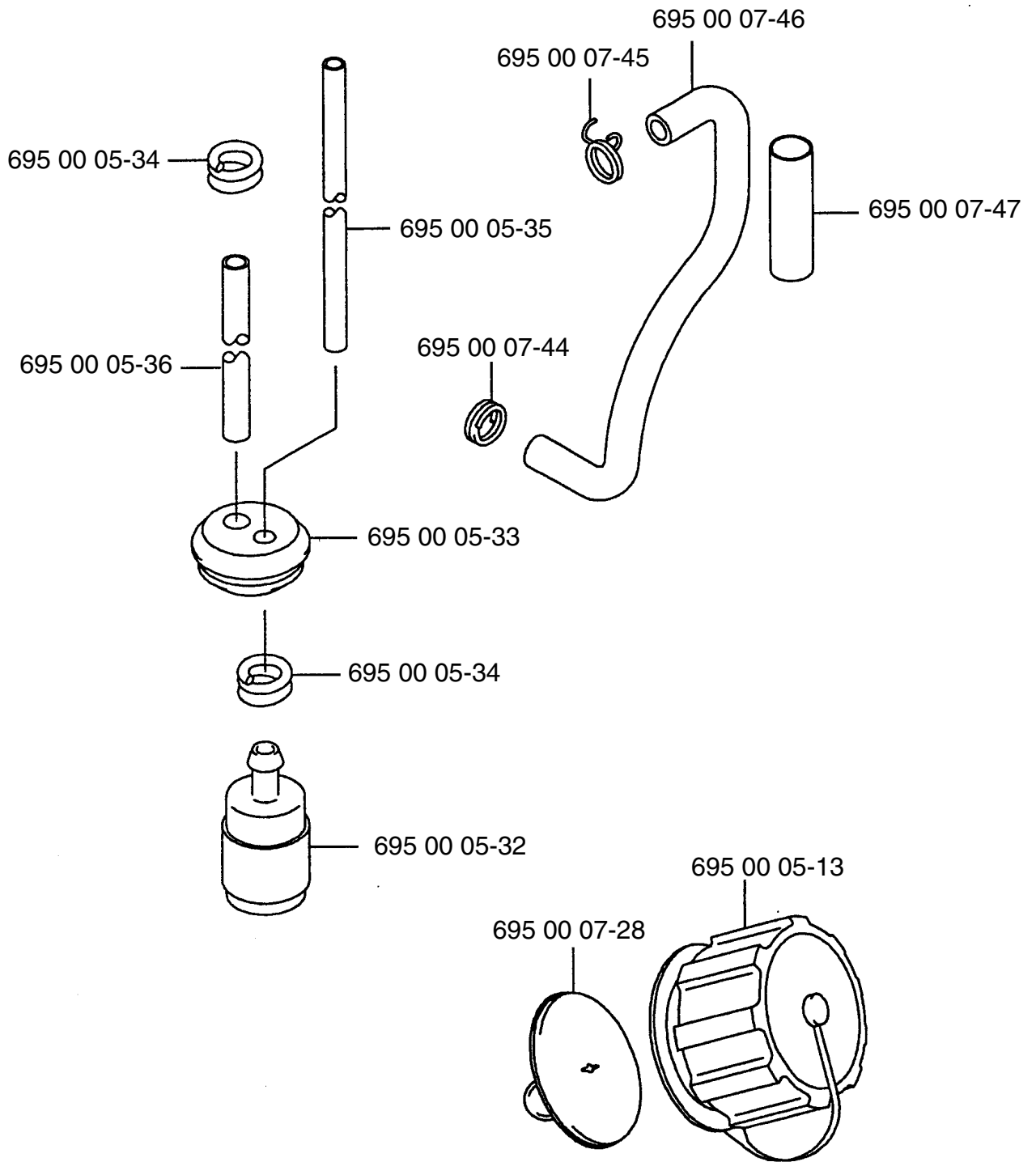
D



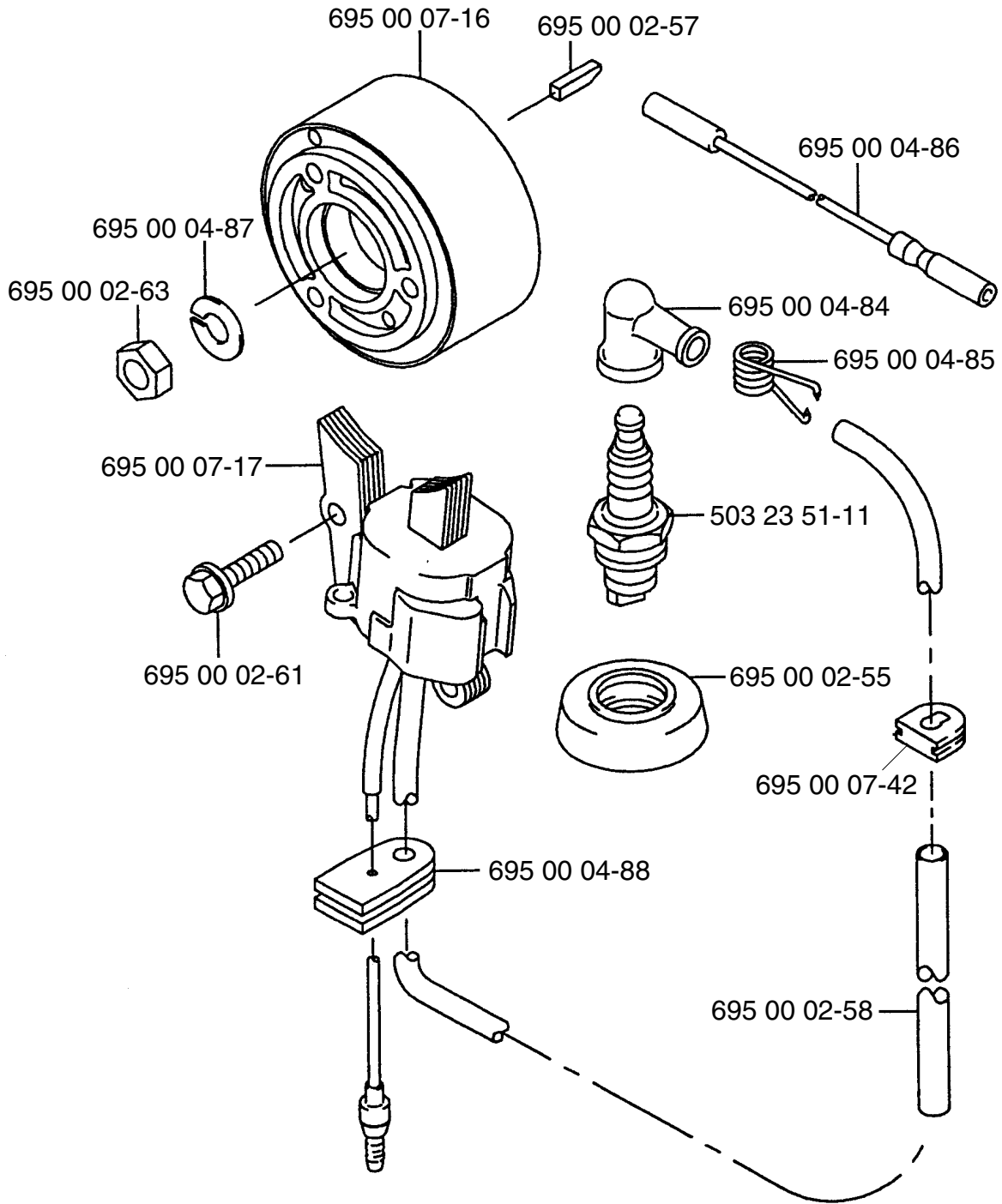
E



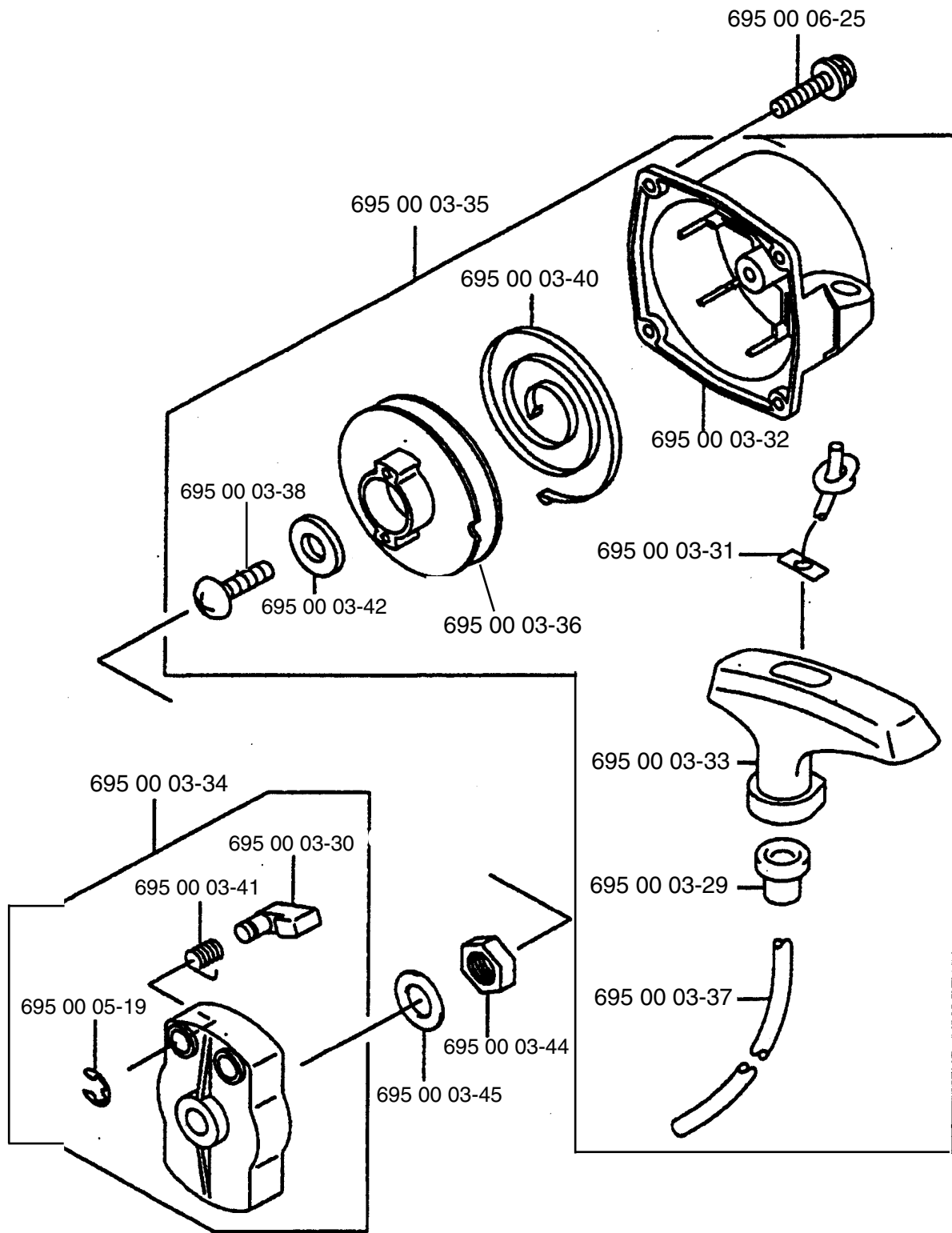
F



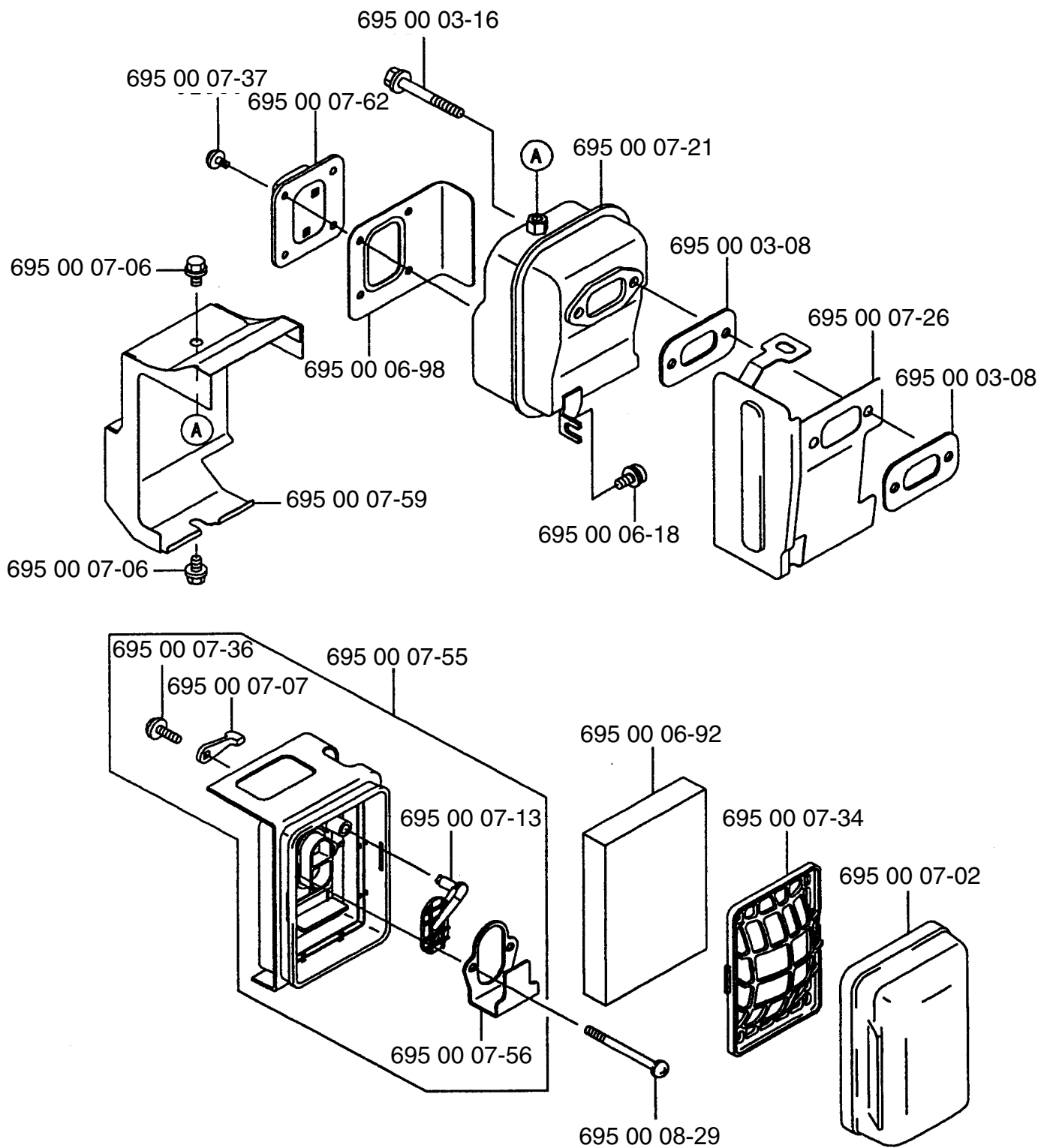
G



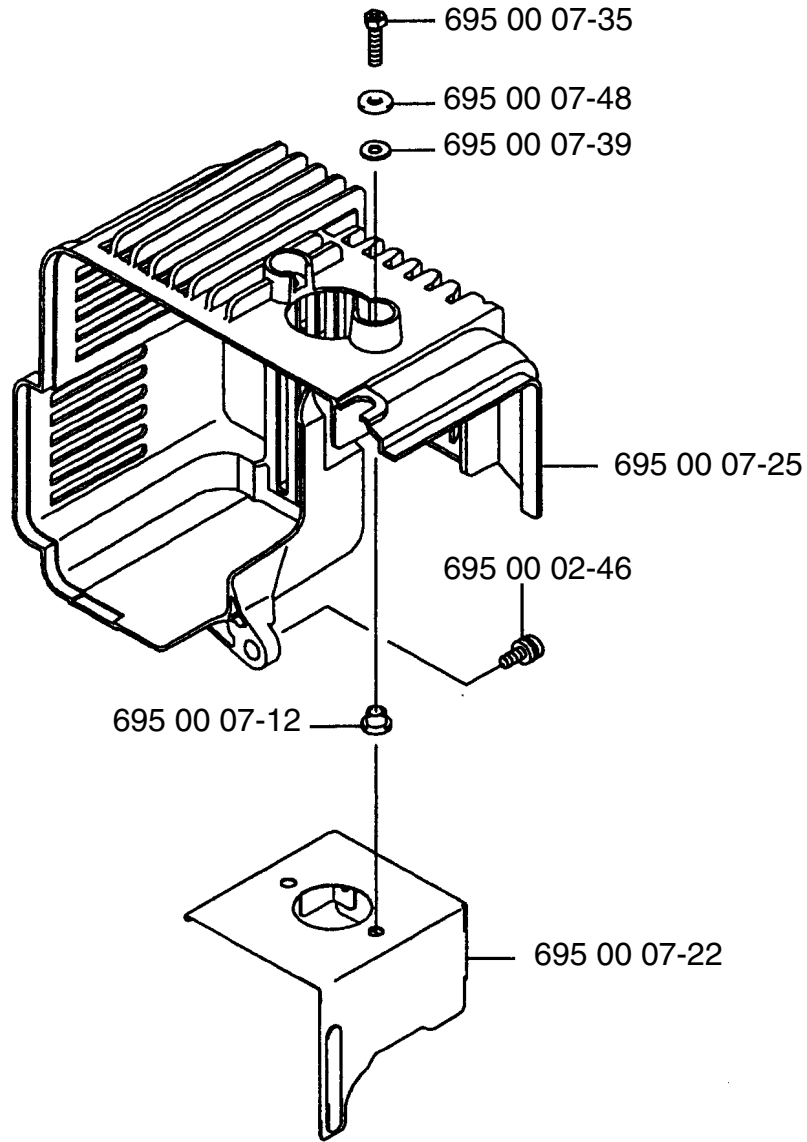
H



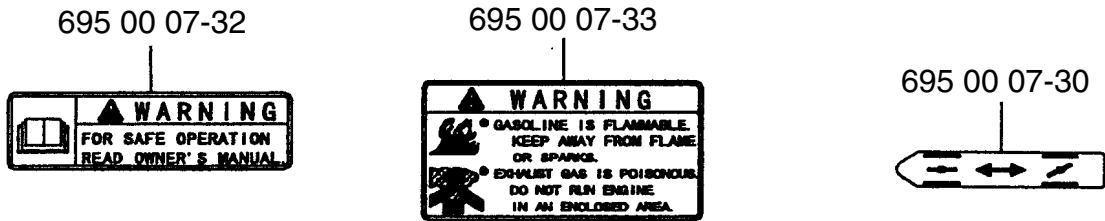
J



K



L



M

